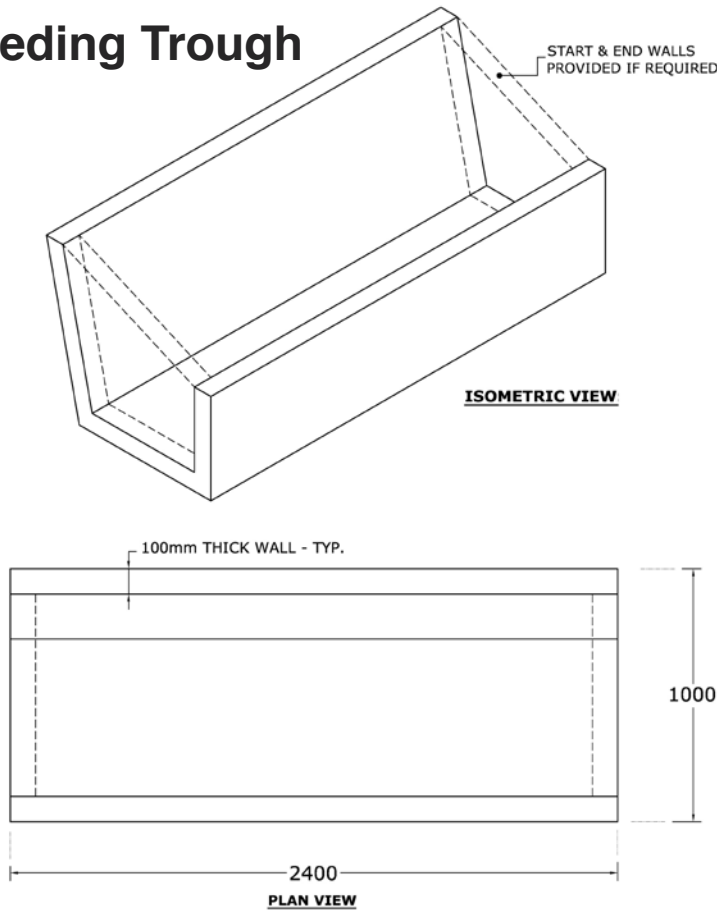
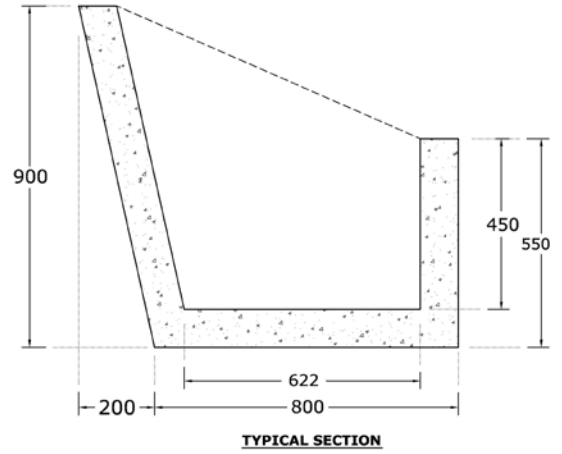


Feeding Trough

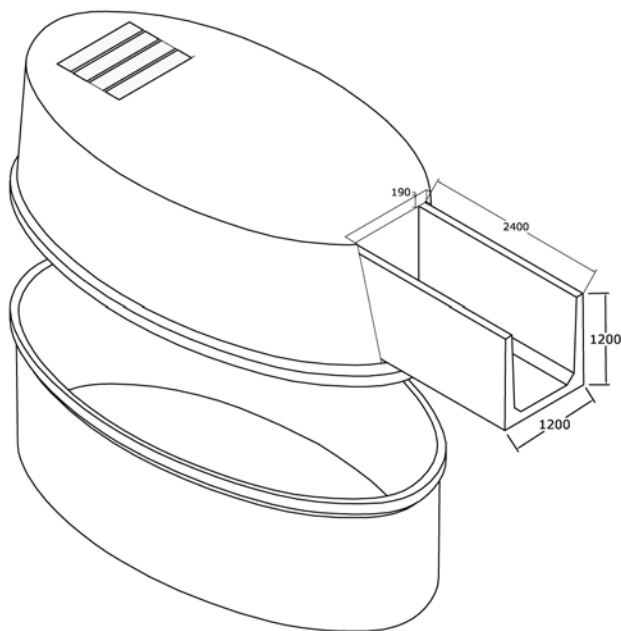


ESTIMATED UNIT WEIGHT: 1.3 tonnes
 WITH END WALLS : 1.5 tonnes

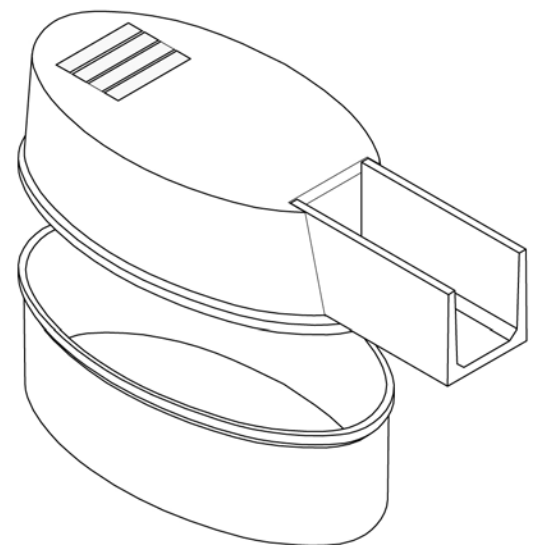


Standard slurry channel opening

Standard Slurry Channel Opening:
 1.300m wide x 1.200m deep



Inlet and outlet collars
 available on request.



23 cubic metre

36 cubic metre

