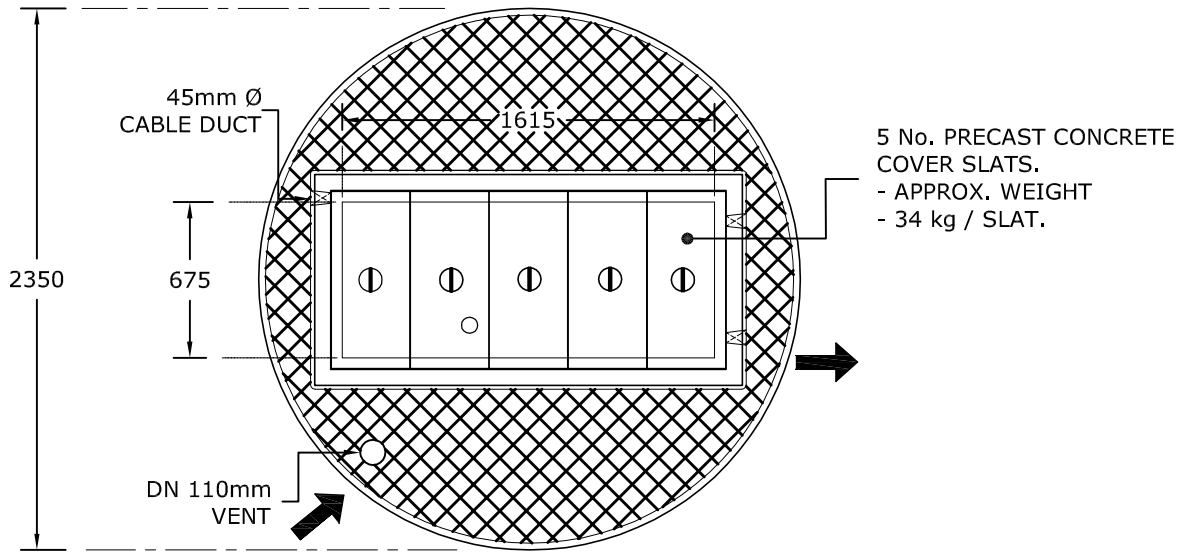
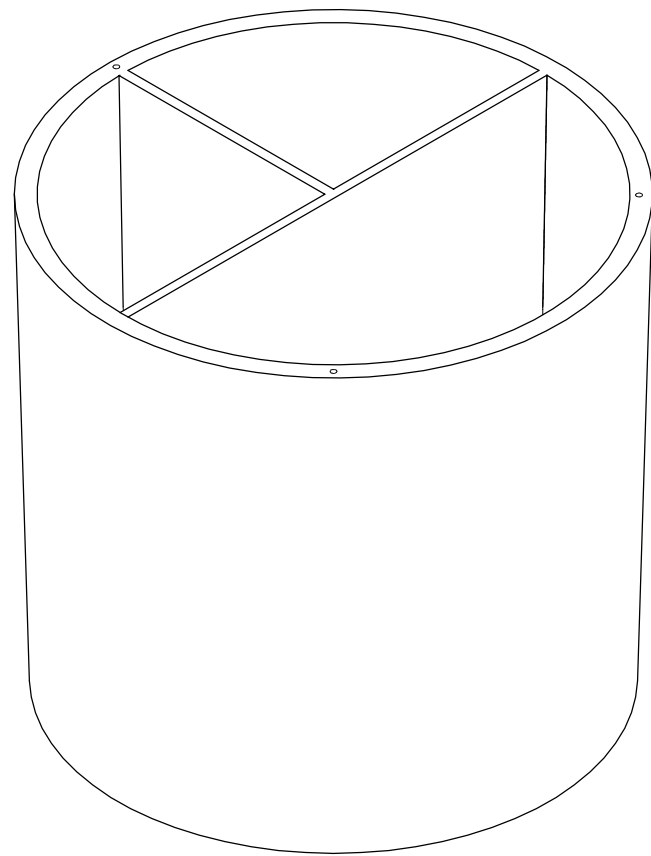


## 6 PE system - 1500 gallon tank

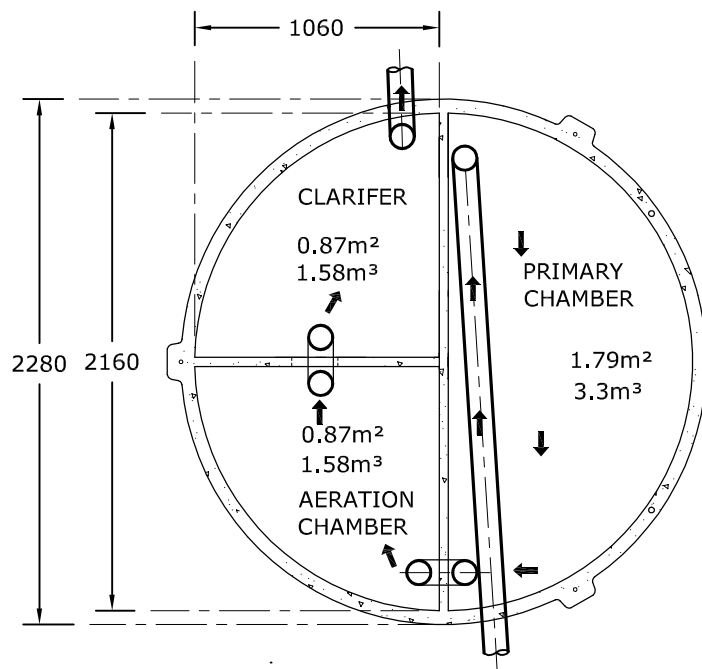


**PLAN VIEW - PRECAST CONCRETE LID:**  
SCALE 1:35

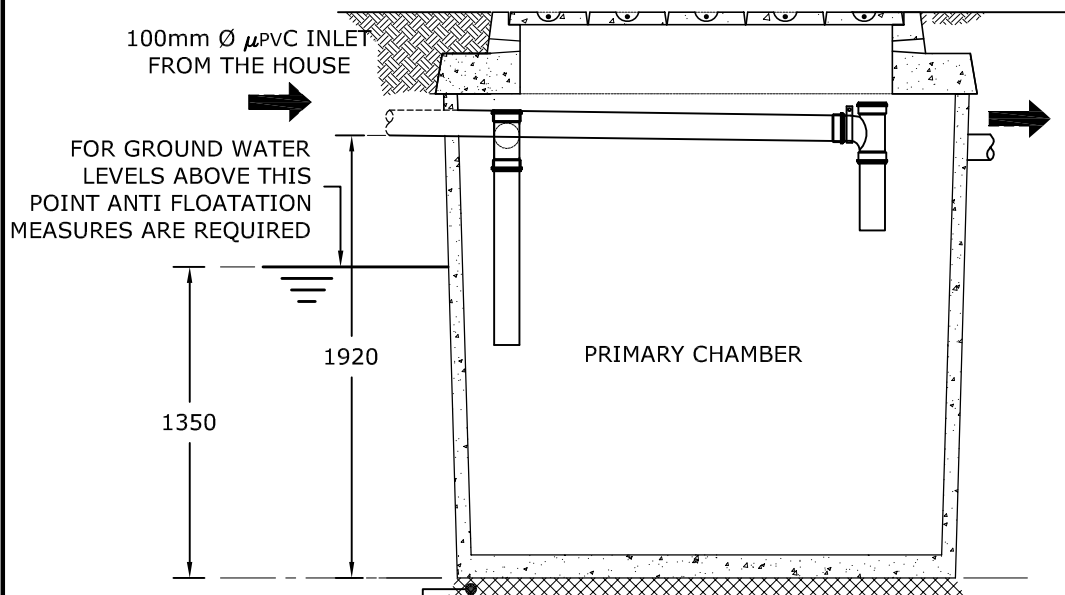
Standard tank weight  
4.30 tonnes without lid,  
6.30 tonnes including lid.



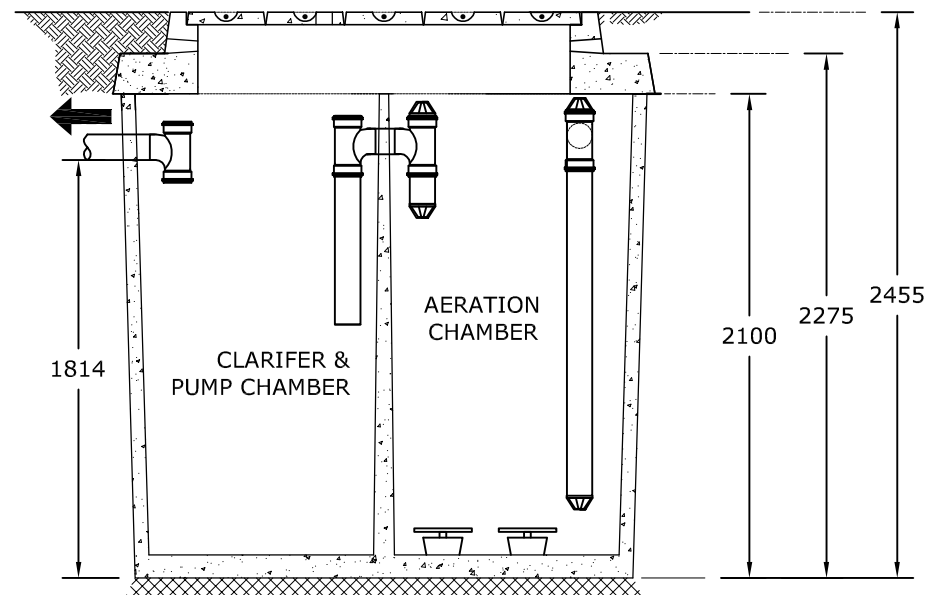
**ISOMETRIC VIEW:**



**PLAN VIEW - PRECAST CONCRETE TANK:**  
SCALE 1:35



**STANDARD 1500 GALLON SYSTEM - SECTION: PRIMARY CHAMBER**  
SCALE 1:35



**STANDARD 1500 GALLON SYSTEM - SECTION: AERATION CHAMBER AND CLARIFIER:**  
SCALE 1:35