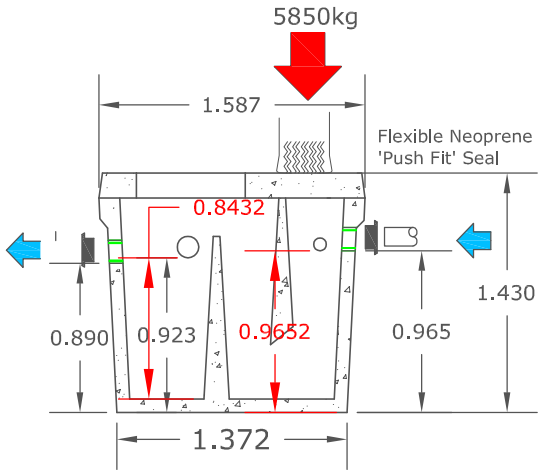


CARLOW CONCRETE TANKS.

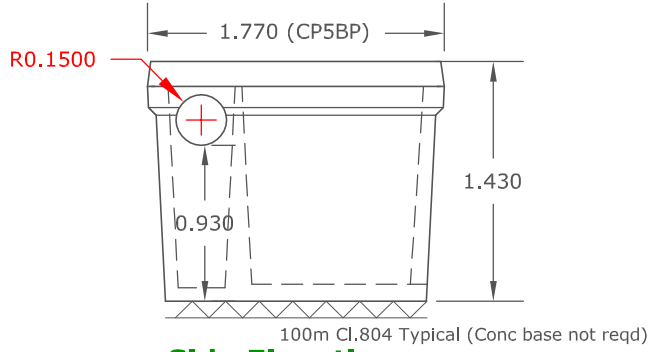
Kilknock, Ballon, Co. Carlow Tel: 05991 59100, Fax: 05991 59831, e-mail: sales@carlowtanks.com

Manufacturers of Septic and Effluent Tanks, Pump Chambers, Reservoirs, Interceptors and Special Products

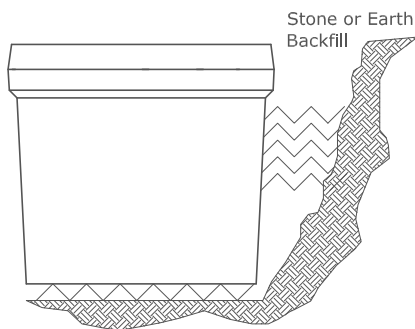
Modular Bypass Interceptor CP4BP



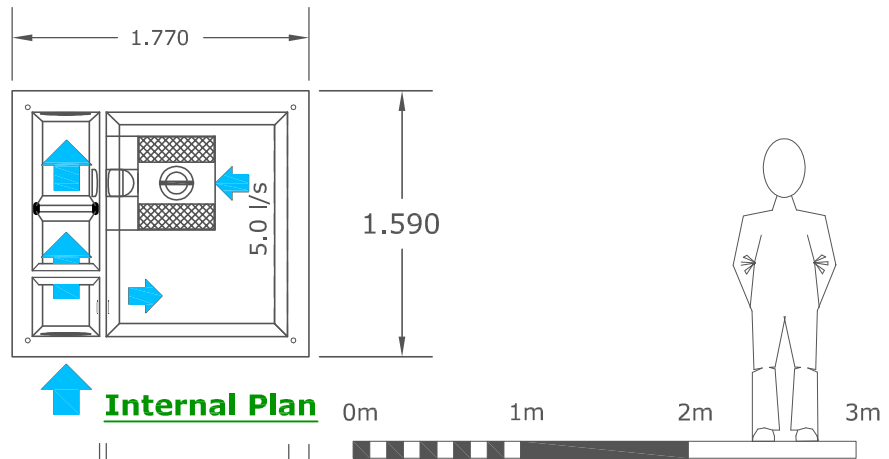
Bypass Section



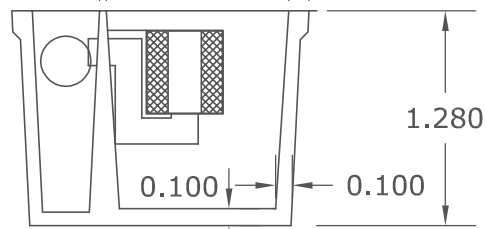
Side Elevation



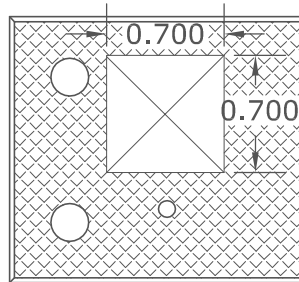
End Elevation



Internal Plan

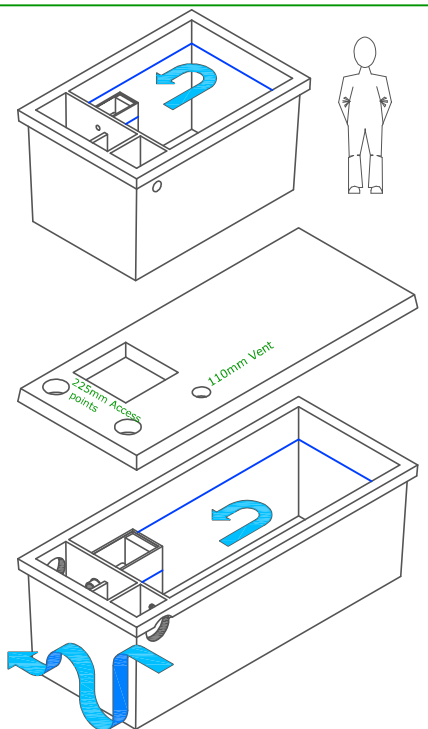


Long Section



Roof Plan

6" inlet & outlets
4" filter



	Nominal Flow	Storm Flow	Area Drained (m ²)	Standard Pipe Size	Crossfall	Invert to Base	Nominal Oil Storage
CP4BP	4.0l/s	40l/s	2200	150 Dia	75mm	965mm	60 l