

UNIT REF CODE	MAX FLOW RATE (l/s)	DRAINAGE AREA (m <sup>2</sup> )	NOMINAL OIL STORAGE (L)	SILT STORAGE CAPACITY (L)	INLET INVERT TO BASE (mm)	STANDARD PIPE SIZE O.D. (mm)
CP20FR	20.0	1,110	200	2,000	1,800	225 Dia

**STANDARD DESIGN LOADS:**

**LID:**

IMPOSED LOAD: 10 kN/m<sup>2</sup> UDL OR 5,850 kg WHEEL LOAD  
 DEAD LOAD: UP TO 1m OVERBURDEN

HEAVY DUTY OR CUSTOM LIDS CAN BE MANUFACTURED FOR MORE ONEROUS APPLICATIONS.

**TANK:**

IMPOSED SURCHARGE: 10 kN/m<sup>2</sup> UDL (HA LOADING EQUIVALENT TO BS 5400-2)

**NOTE:** VERY LARGE POINT LOADS SUCH AS THOSE FROM CRANE OUTRIGGERS SHOULD BE AVOIDED IN THE IMMEDIATE VICINITY OF THE TANK

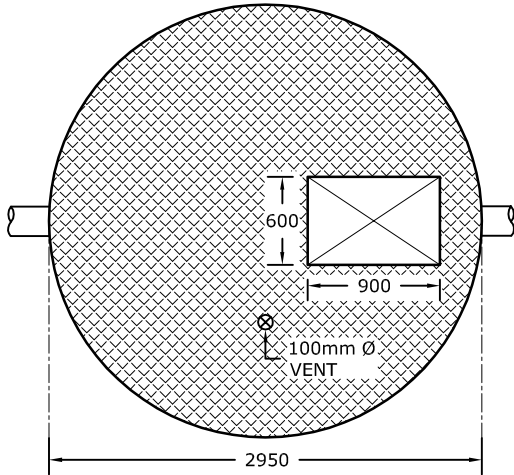
**STANDARD ACCESS OPENING SIZE:**

- 900mm x 600mm

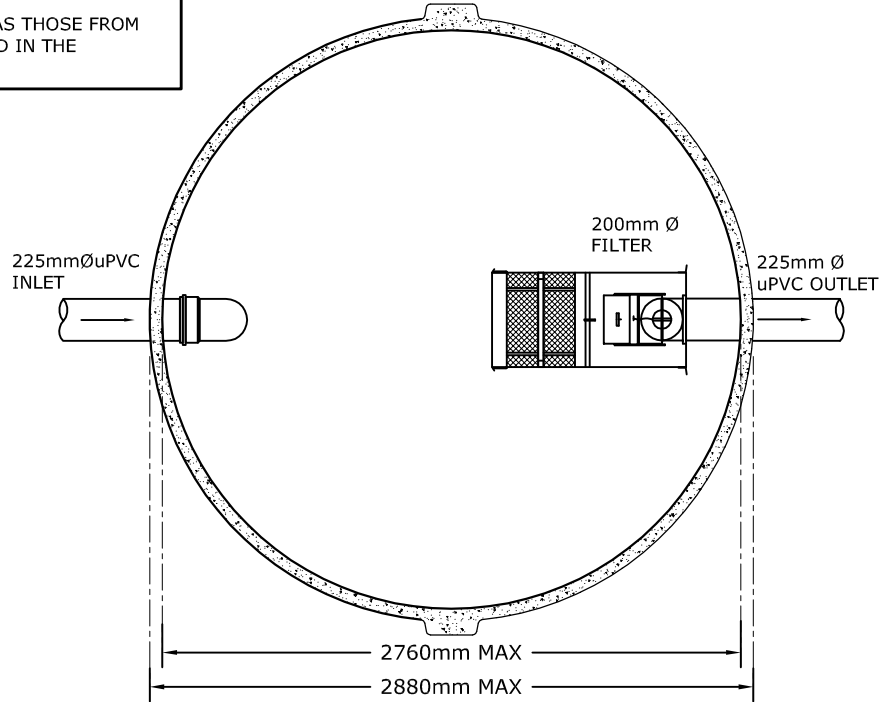
**NON STANDARD SIZES ARE AVAILABLE ON REQUEST**

**STANDARD UNIT WEIGHTS:**

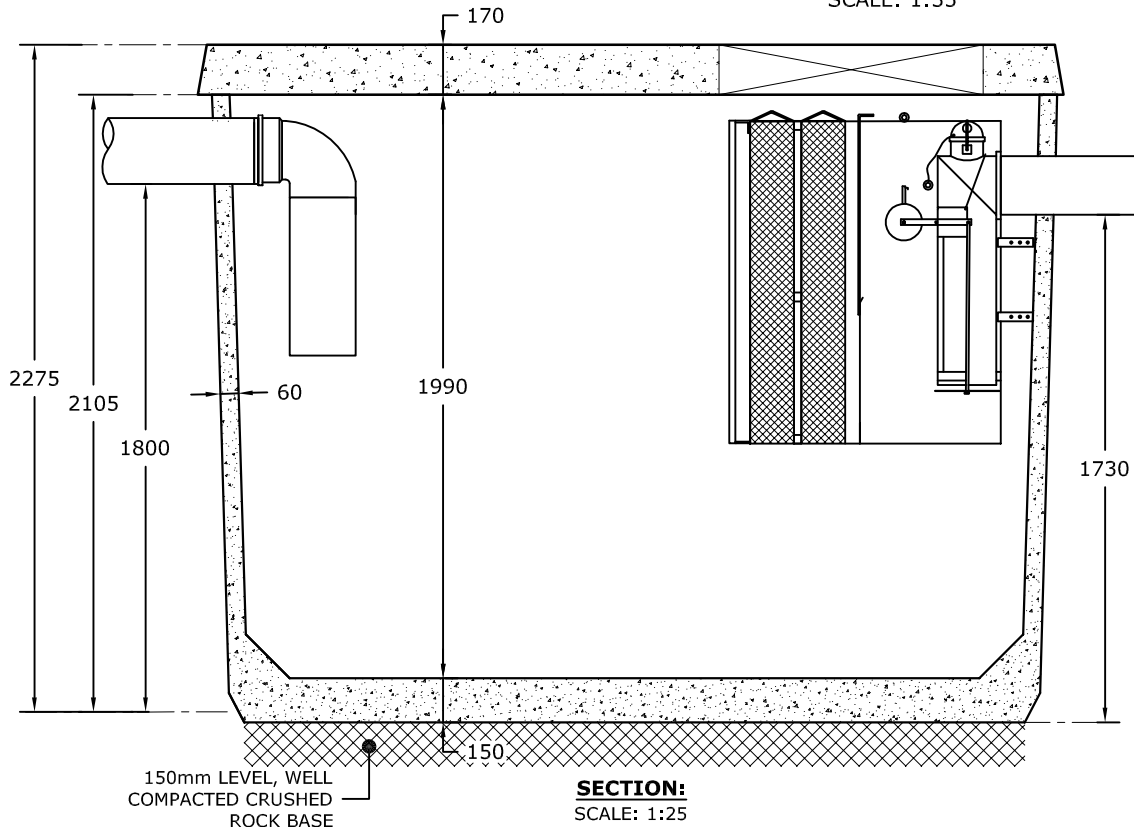
- TANK: 5.0 tonnes  
 - COVER SLAB: 1.6 tonnes



**ROOF PLAN:**  
 SCALE: 1:50



**PLAN VIEW:**  
 SCALE: 1:35



**SECTION:**  
 SCALE: 1:25