

CARLOW CONCRETE TANKS.

Kilknock, Ballon, Co. Carlow Tel: 05991 59100, Fax: 05991 59831, e-mail: sales@carlowtanks.com

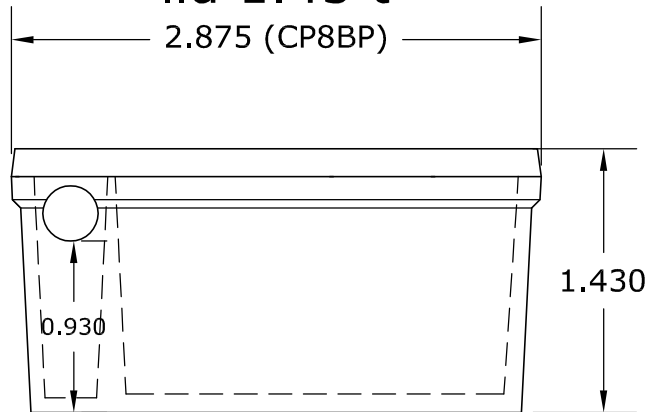
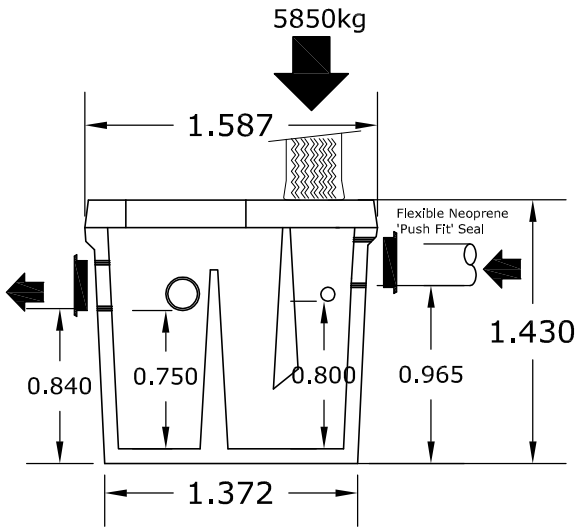
Manufacturers of Septic and Effluent Tanks, Pump Chambers, Reservoirs, Interceptors and Special Products

Modular Bypass Interceptor CP8BP

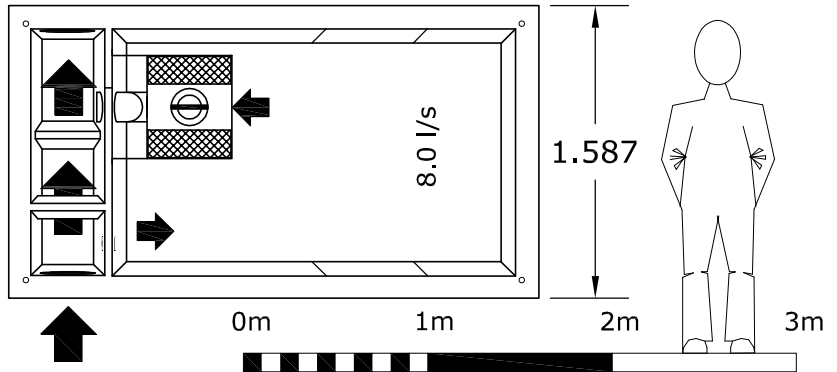
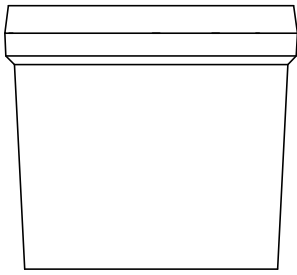
weight base 3.6t

lid 1.45 t

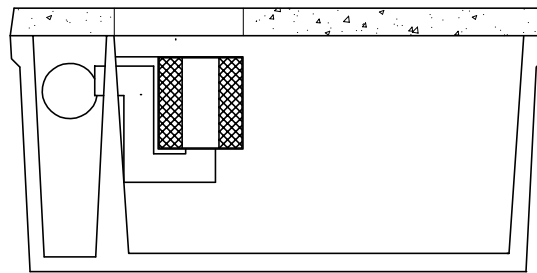
2.875 (CP8BP)



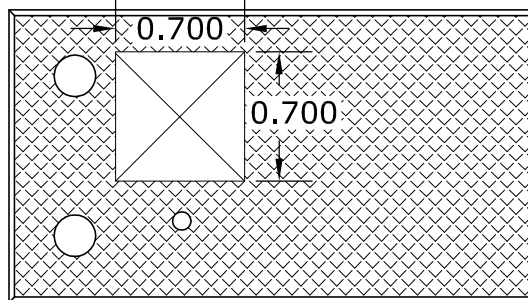
Side Elevation



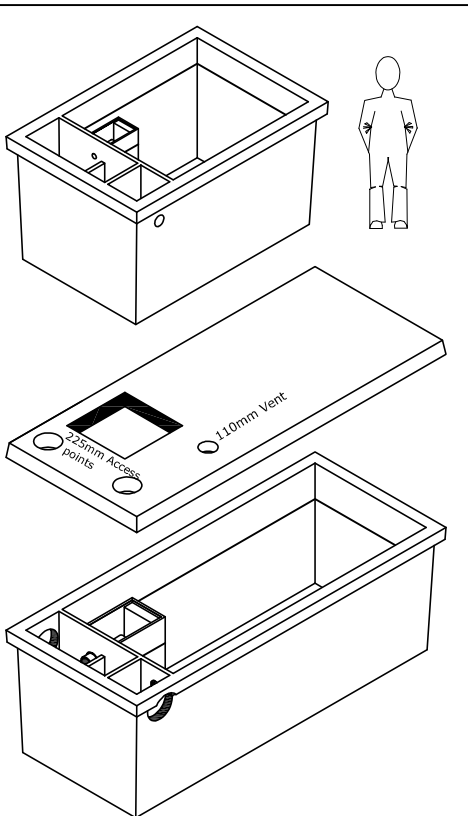
Internal Plan



Long Section



Roof Plan



	Nominal Flow	Storm Flow	Area Drained (m ²)	Standard Pipe Size	Crossfall	Invert to Base	Nominal Oil Storage
CP8BP	8.0l/s	80l/s	4400	225Dia	125mm	965mm	120 l