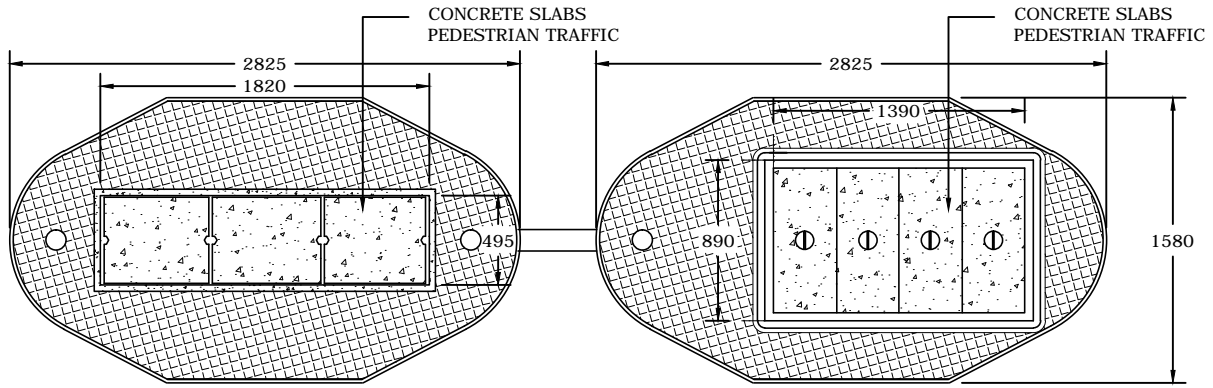
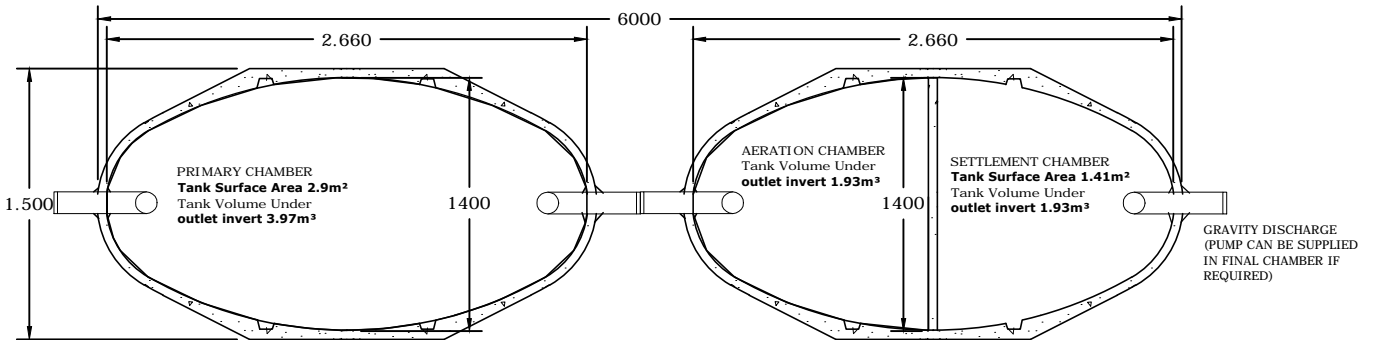


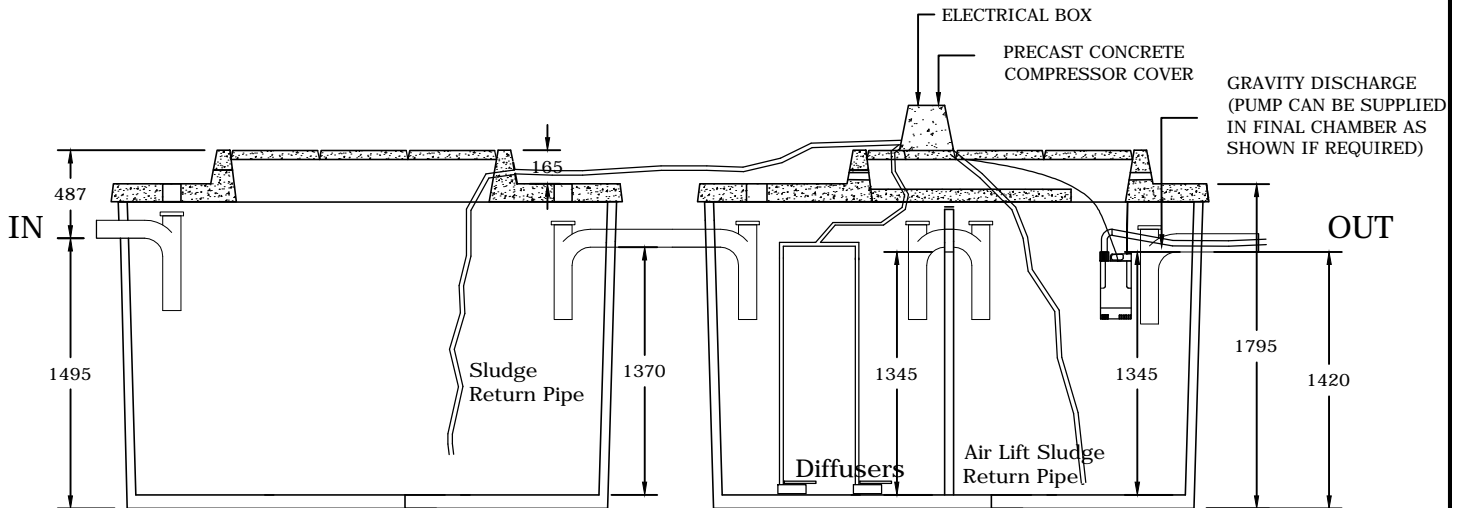
# Biogreen 8PE Waste Water Treatment System EN12566-3 & SR66



**ROOF PLAN**



**TANK PLAN**



**SECTION**