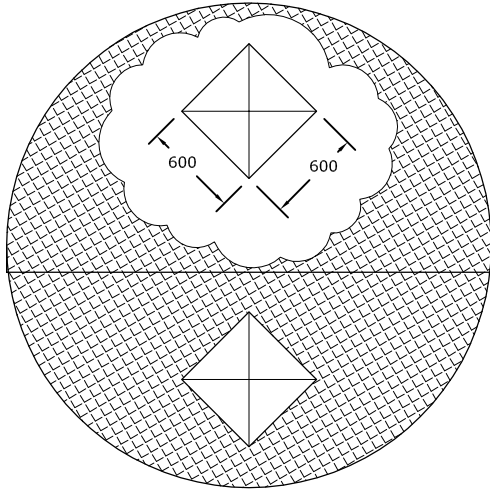


## 3500 GALLON (15.90 cubic metre) SEPTIC TANK

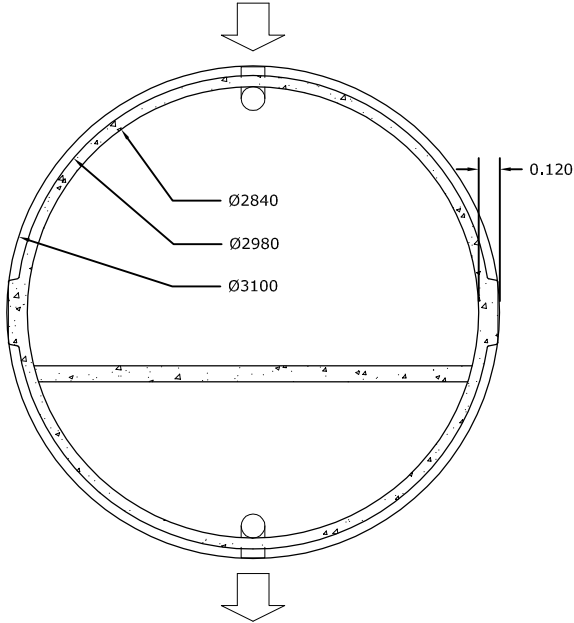


**ROOF PLAN**

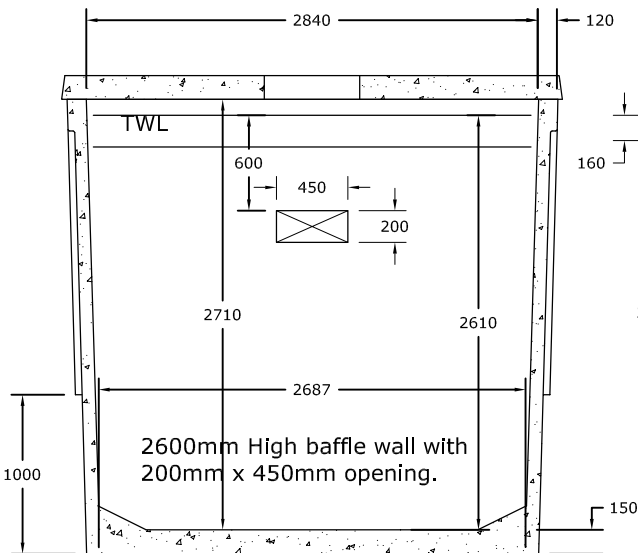
Roof design to particular loading requirements.

Collars, fittings etc. to customers requirements.

Standard tank weight 8.9 tonnes without lid, 12 tonnes including lid.



**FLOOR PLAN**



**SECTION**

