

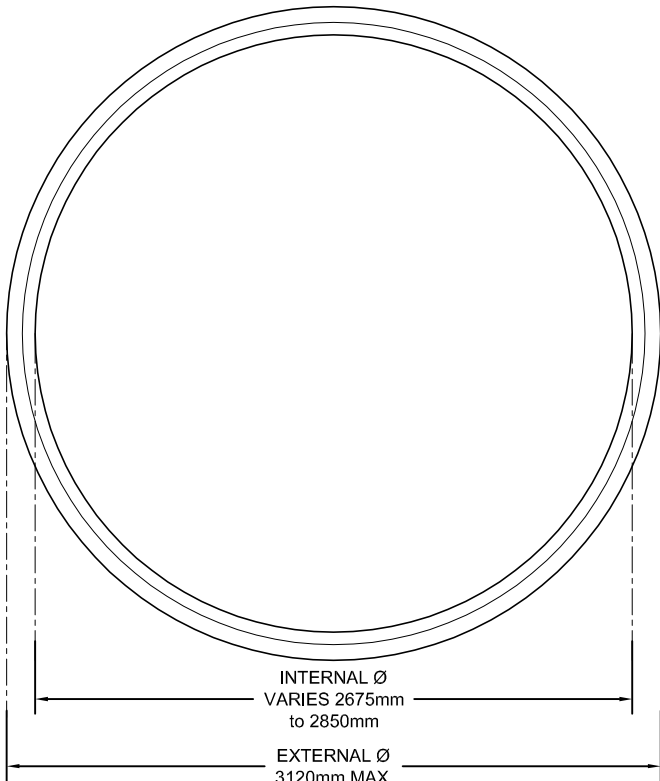
CARLOW CONCRETE TANKS

DRAWING TITLE:
STANDARD 3500 GALLON 15.9m3
Concrete Tank
Jim Fay, Fay Contracts
3500 gallon tank for dirty water storage

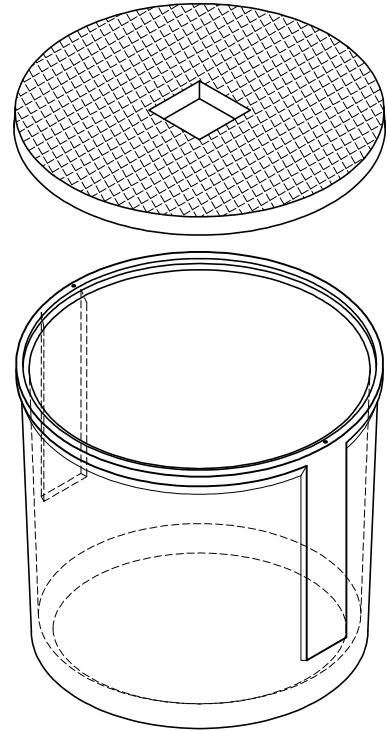
Drawn By: T. Armstrong

Date: 01/06/09

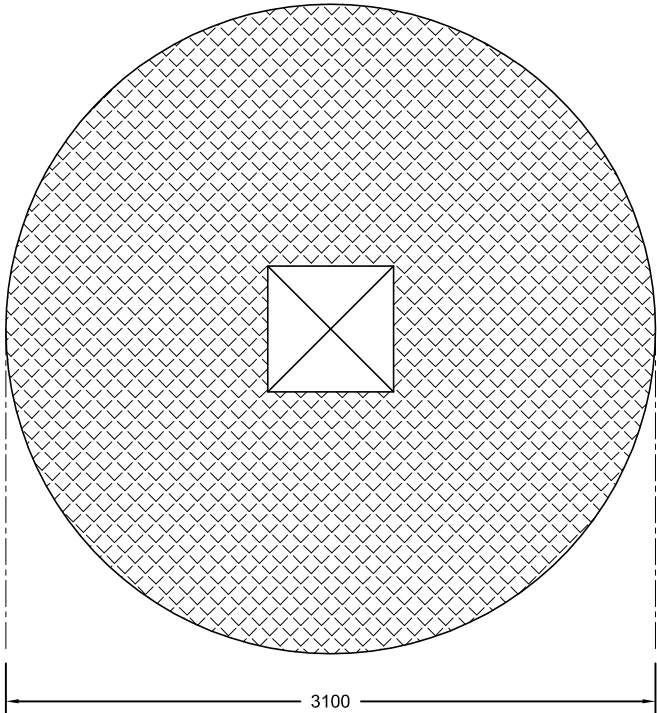
Revision: B



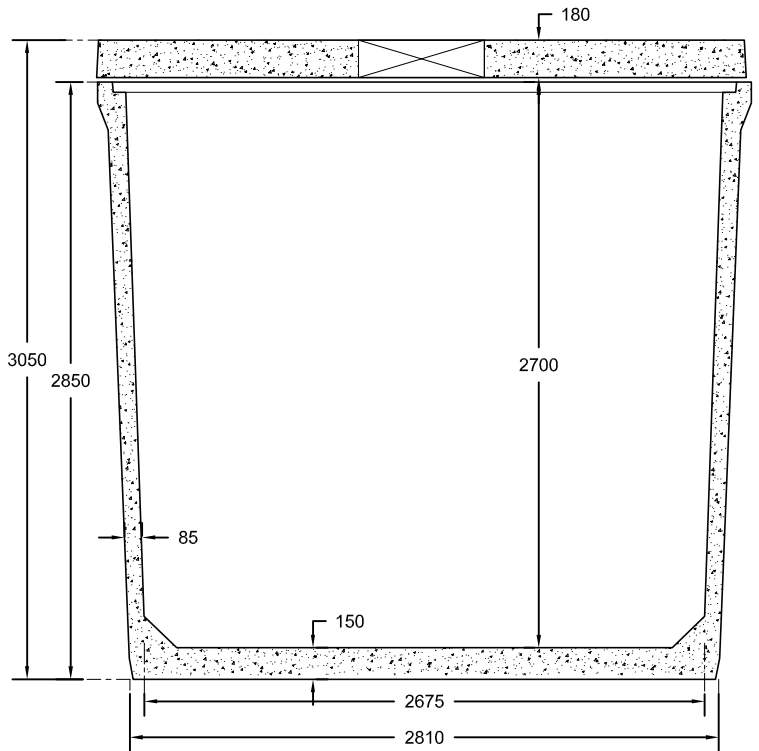
PLAN VIEW
SCALE: 1:35



ISOMETRIC VIEW
SCALE: 1:75



ROOF PLAN
SCALE: 1:35



SECTION
SCALE: 1:35

TANK WEIGHT: 6900kg.
LID WEIGHT: 3520kg.
TOTAL WEIGHT: 10420kg.

ROOF OPENINGS AND FITTINGS TO
CUSTOMERS REQUIREMENTS.