

# CARLOW CONCRETE TANKS

**DRAWING TITLE:**  
 STANDARD 2500 GALLON (11.36m<sup>3</sup>)  
 CONCRETE TANK  
 GENERAL LAYOUT  
 SHEET 1 OF 1

**Drawn By:** T. Armstrong

**Date:** 06/07/09

**Revision:** A

**STANDARD DESIGN LOADS:**

**LID:**

IMPOSED LOAD: 10 kN/m<sup>2</sup> UDL OR 5,850 kg WHEEL LOAD  
 DEAD LOAD: UP TO 1m OVERBURDEN

HEAVY DUTY OR CUSTOM LIDS CAN BE MANUFACTURED FOR MORE ONEROUS APPLICATIONS.

**TANK:**

IMPOSED SURCHARGE: 10 kN/m<sup>2</sup> UDL (HA LOADING EQUIVALENT TO BS 5400-2)

**NOTE:** VERY LARGE POINT LOADS SUCH AS THOSE FROM CRANE OUTRIGGERS SHOULD BE AVOIDED IN THE IMMEDIATE VICINITY OF THE TANK

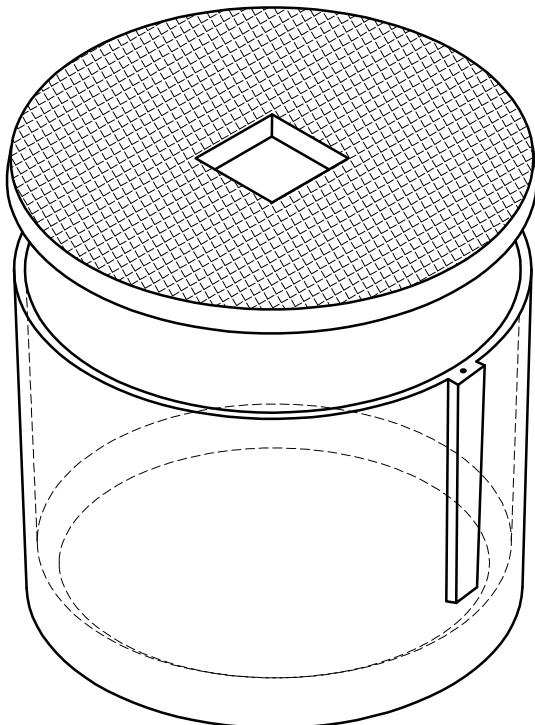
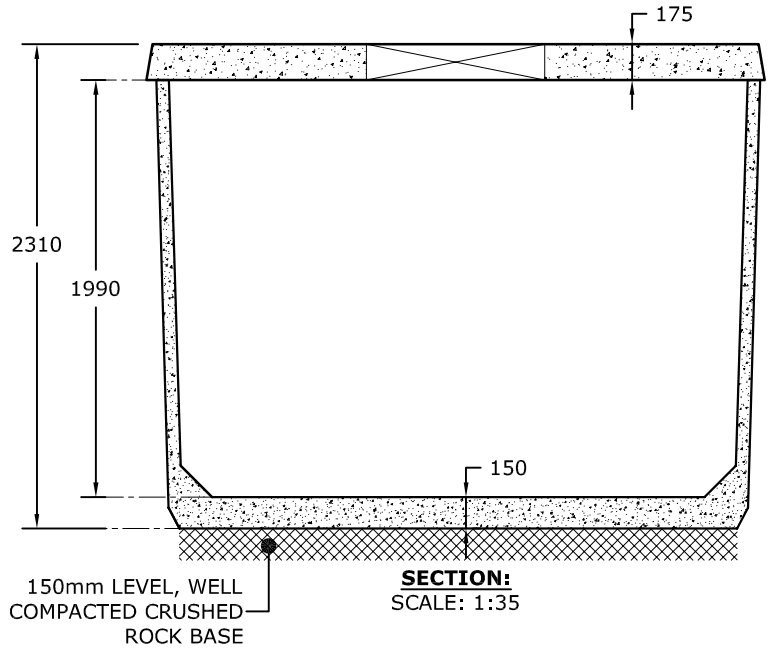
**STANDARD ACCESS OPENING SIZES:**

- 1400mm x 850mm
- 900mm x 600mm
- 600mm x 600mm

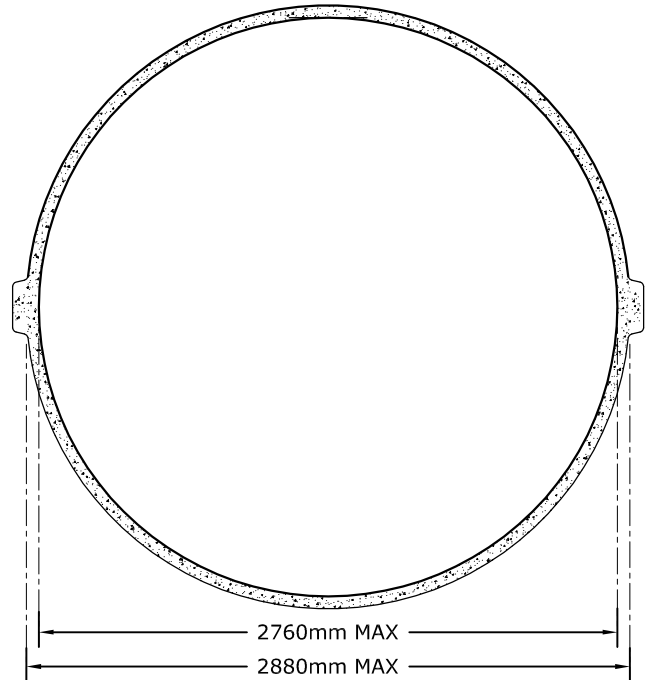
**NON STANDARD SIZES ARE AVAILABLE ON REQUEST**

**STANDARD UNIT WEIGHTS:**

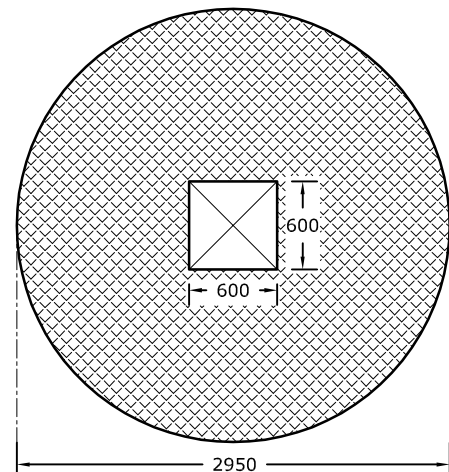
- TANK: 5.0 tonnes
- COVER SLAB: 1.6 tonnes



**ISOMETRIC  
VIEW:**  
SCALE: 1:50



**PLAN VIEW:**  
SCALE: 1:35



**ROOF PLAN:**  
SCALE: 1:50