

CARLOW CONCRETE TANKS

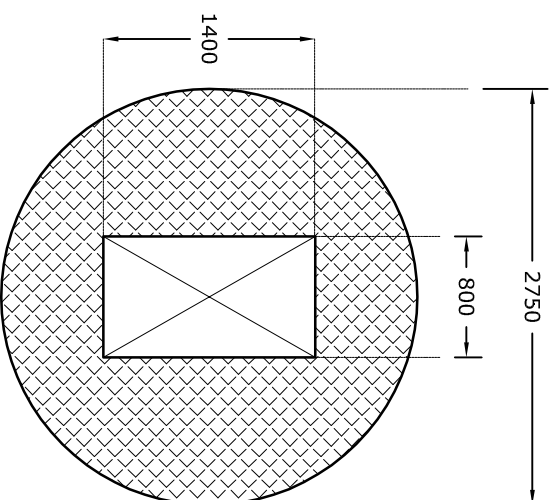
DRAWING TITLE:
2.4m Ø x 4m
PRECAST CONCRETE
PUMP CHAMBER
- TYPICAL DETAILS.

Drawn By: T. Armstrong
Date: 30/09/09
Revision: A

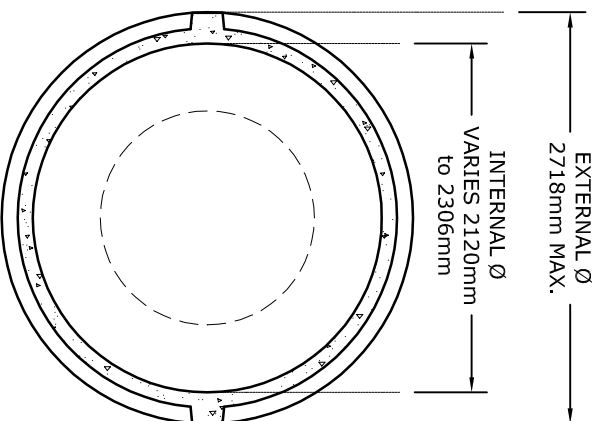
TYPICAL INSITU CONCRETE SPECIFICATION:
CONCRETE GRADE: C28/35
MIN. CEMENT CONTENT: 320 kg/m³
MAX. W/C RATIO: 0.55
MAX. AGGREGATE SIZE: 20mm
STEEL FIBRE DOSAGE: 20 kg/m³
STEEL FIBRE TYPE: DRAMIX RL 45/50 BN
(OR SIMILAR)

STANDARD LID DESIGN LOADS:
IMPOSED LOAD: 10 kN/m² UDL OR 5,850 kg WHEEL LOAD
DEAD LOAD: UP TO 1m OVERBURDEN
HEAVY DUTY OR CUSTOM LIDS CAN BE MANUFACTURED FOR
MORE ONEROUS APPLICATIONS.

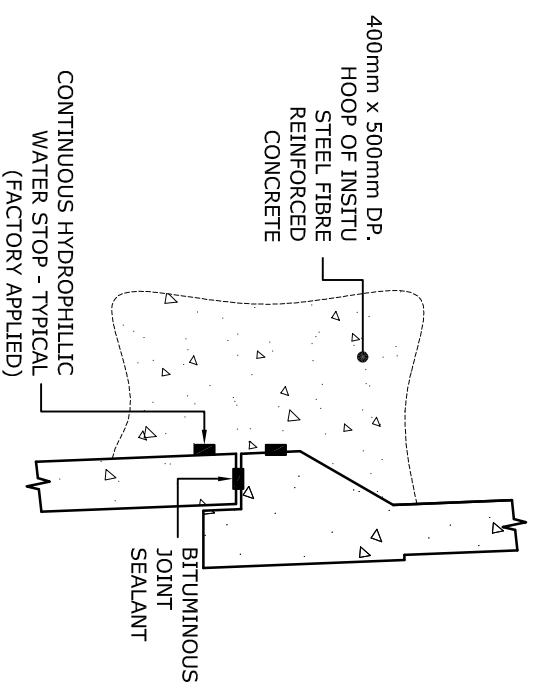
STANDARD ACCESS OPENING SIZES:
- 1400mm x 850mm
- 900mm x 600mm
- 600mm x 600mm
NON STANDARD SIZES ARE AVAILABLE ON REQUEST



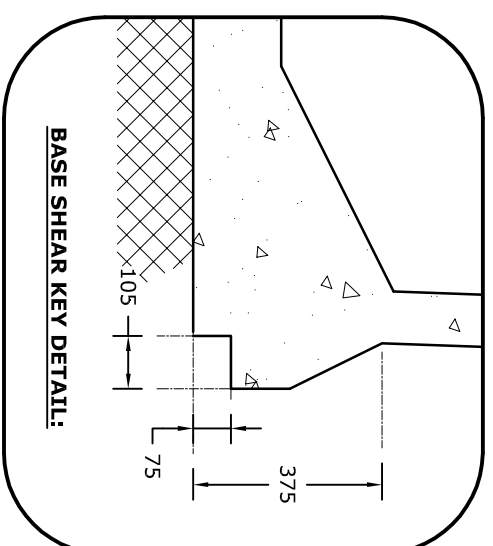
COVER SLAB - PLAN VIEW:
SCALE: 1:50



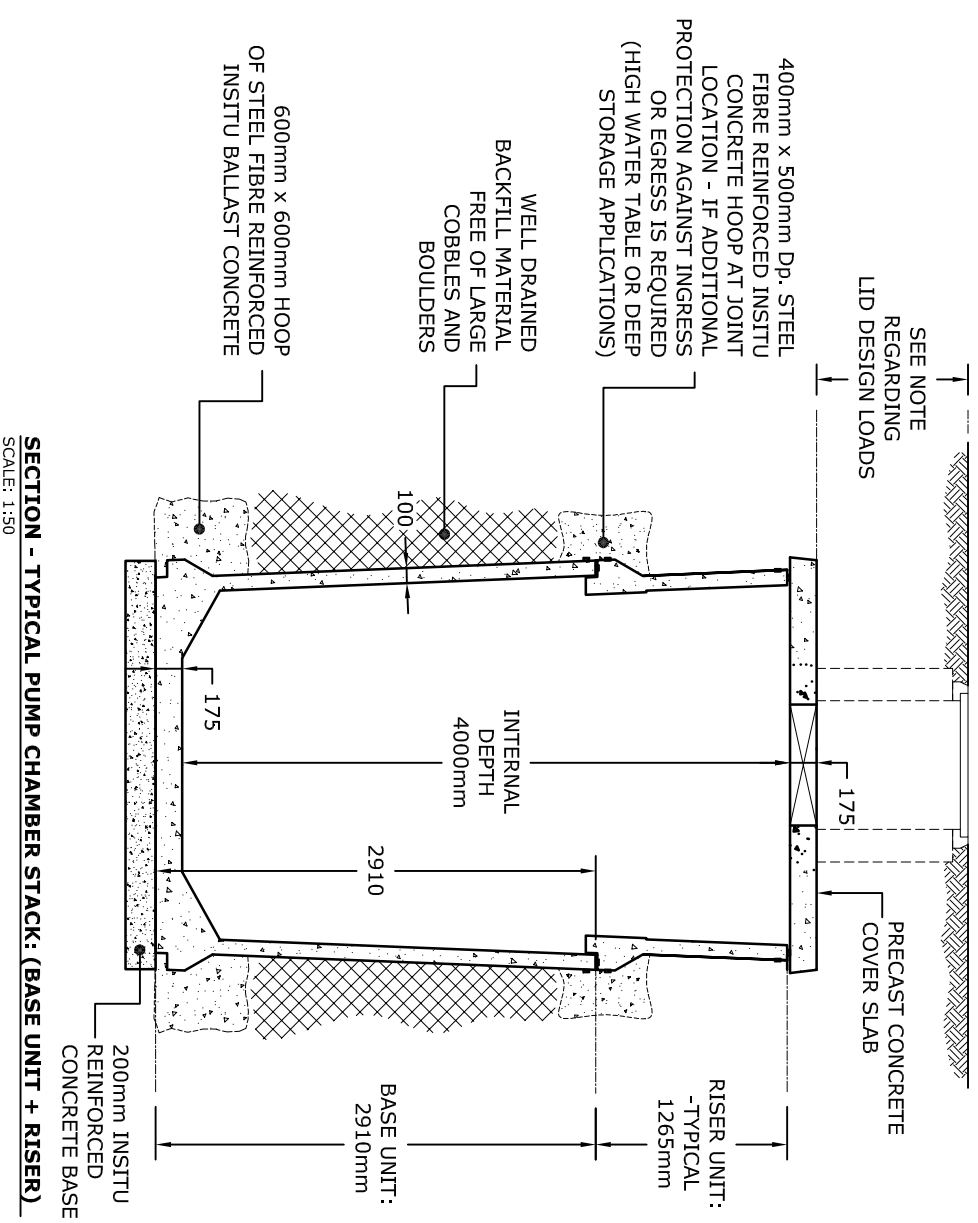
BASE UNIT - PLAN VIEW:
SCALE: 1:50



PRECAST JOINT DETAIL:
SCALE: 1:15



BASE SHEAR KEY DETAIL:
SCALE: 1:50



SECTION - TYPICAL PUMP CHAMBER STACK: (BASE UNIT + RISER)
SCALE: 1:50