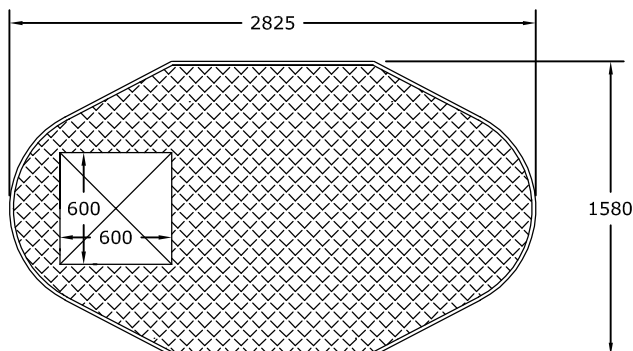
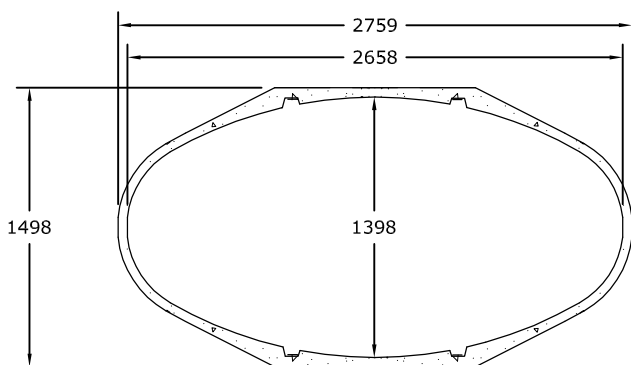


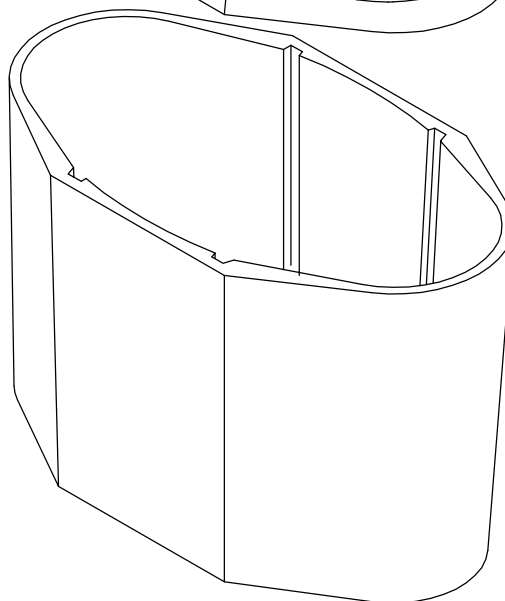
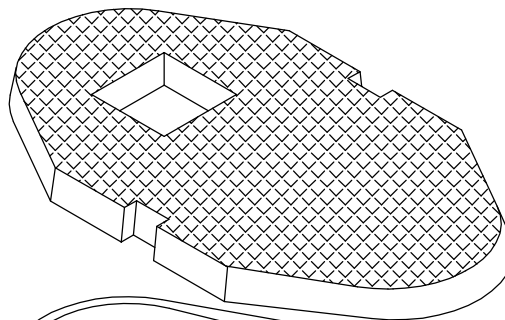
4.75 Cubic Metre / 1000 GALLON PRECAST CONCRETE TANK



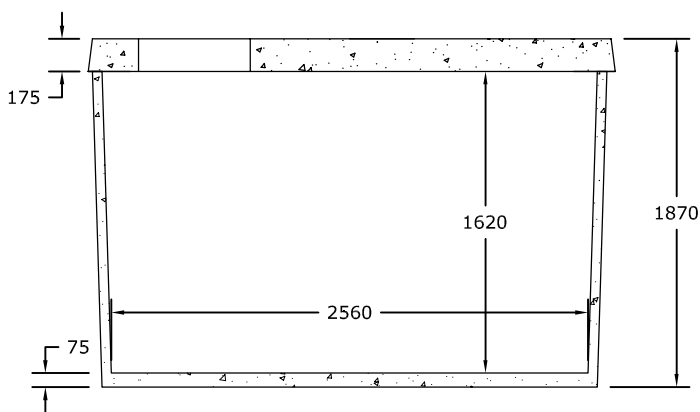
ROOF PLAN



FLOOR PLAN



3D VIEW



SECTION

600mm x 600mm access opening

Chequer plate patterned top surface to roof

Roof design to particular loading requirements

Standard weight 3.75 tonnes

Working capacity 1000 gallons
(4.50 cubic metres)