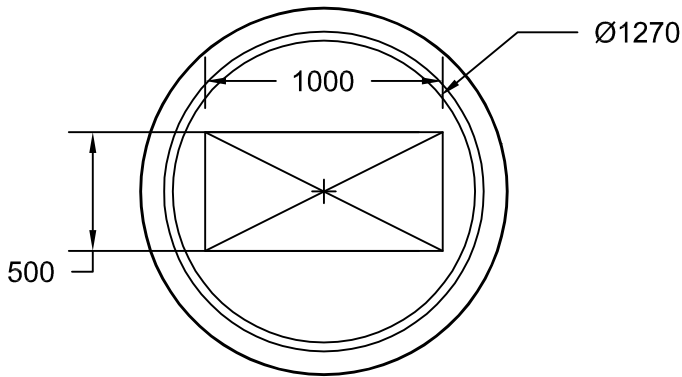


**4m SECTION
WITH RISER**



ROOF PLAN

NOTES

Standard opening 1000mm x 500mm. Other openings and configurations available on request.

Fittings, connections, access covers, etc. to Customers requirements. Openings can be formed in the factory or on site by the Customer.

Anti floatation keys available to order.

Joint Specification:
Denso tokstrip bitumen tape on primed interface at spigot and socket.

Weights:
Base Unit 2000kg
2m riser section incorporating Lid 2000kg

Design service available.

Deeper burial possible with riser shaft

