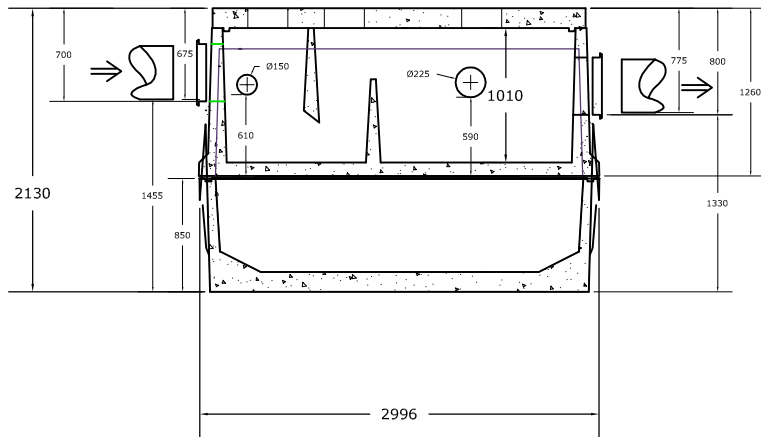
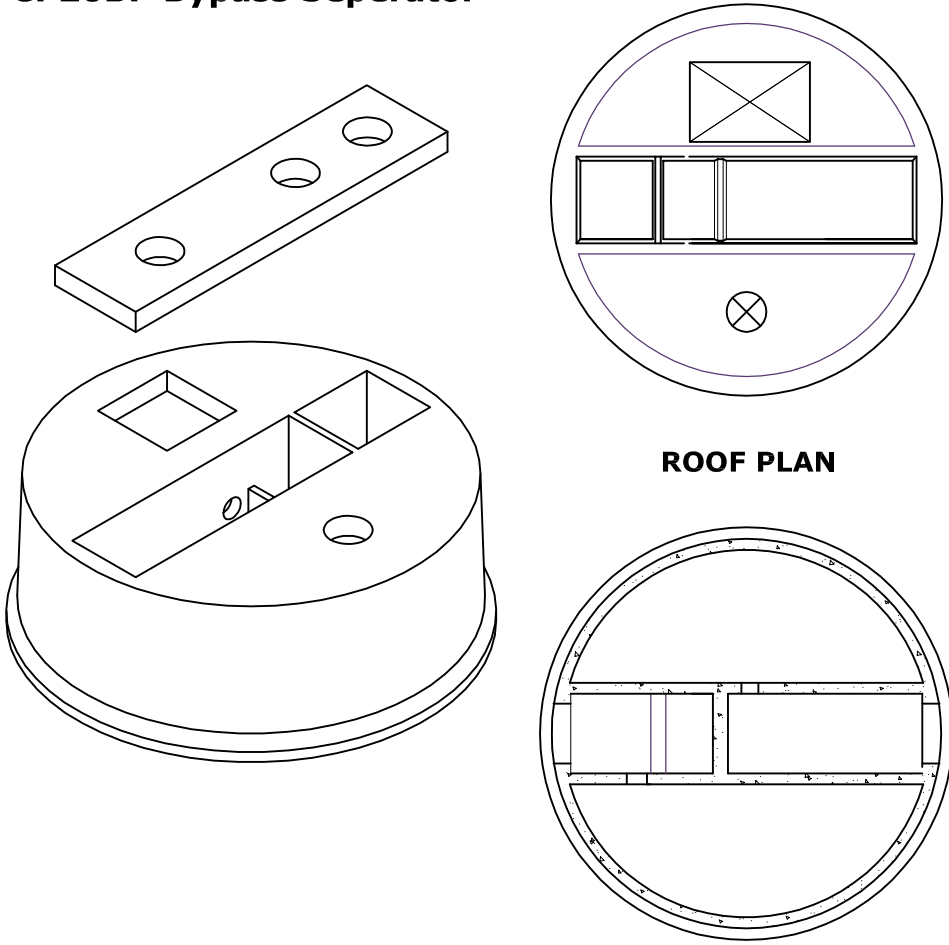


# CARLOW CONCRETE TANKS.

Kilknock, Ballon, Co. Carlow Tel: 05991 59100, Fax: 05991 59831, e-mail: sales@carlowtanks.com  
 Manufacturers of Septic and Effluent Tanks, Pump Chambers, Reservoirs, Interceptors and Special Products  
 Dec 2008

## Bypass Interceptor CP20BP (Class 1 & 2 to EN858)

### CP20BP Bypass Separator



	Nominal Flow	Storm Flow	Area Drained m <sup>2</sup>	Standard Pipe Size	Crossfall	Inlet Invert to Base	Nominal Oil Storage
<b>CP20BP</b>	20.0l/s	200l/s	11,500	400 O/D 100mm	1455mm	1360 l	