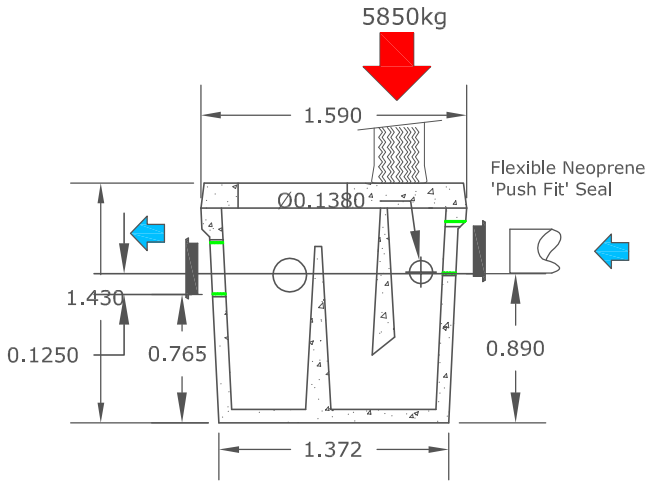


# CARLOW CONCRETE TANKS.

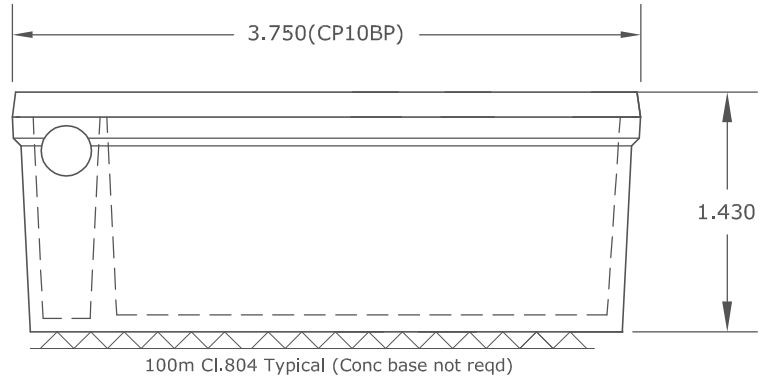
Kilknock, Ballon, Co. Carlow Tel: 05991 59100, Fax: 05991 59831, e-mail: sales@carlowtanks.com

Manufacturers of Septic and Effluent Tanks, Pump Chambers, Reservoirs, Interceptors and Special Products

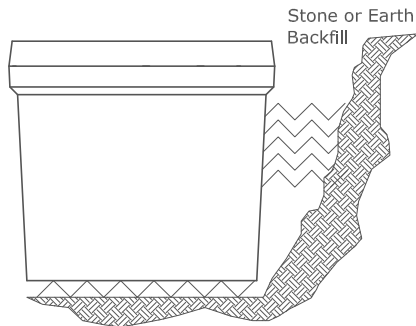
## Modular Bypass Interceptor CP10BP



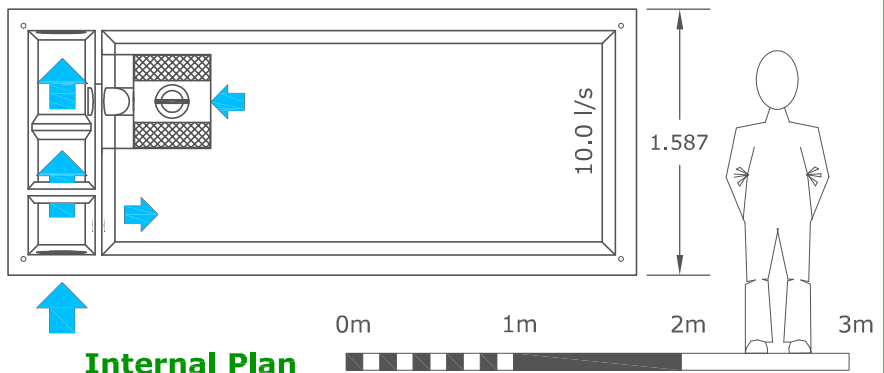
**Bypass Section**



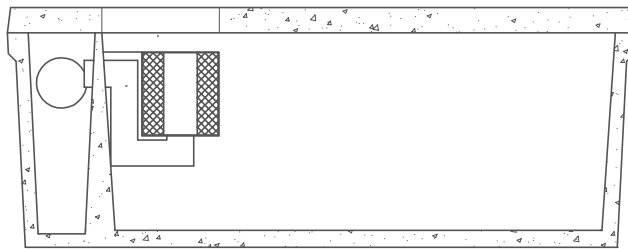
**Side Elevation**



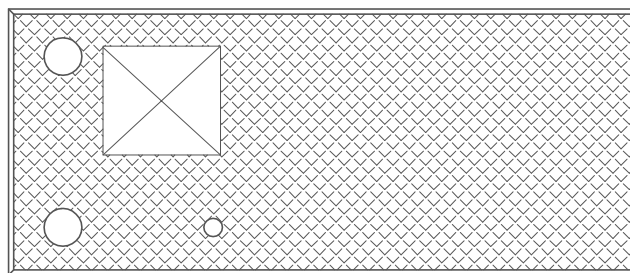
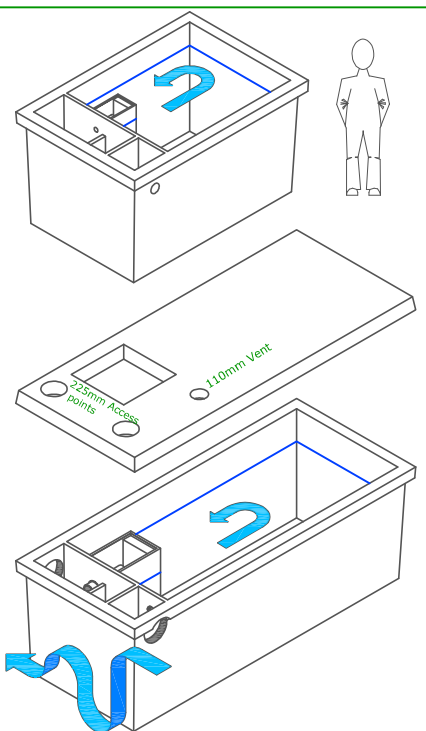
**End Elevation**



**Internal Plan**



**Long Section**



**Roof Plan**

Nominal Flow  
Storm Flow  
Area Drained m<sup>2</sup>  
Standard Pipe Size  
Crossfall  
Inlet Invert to Base  
Nominal Oil Storage

**CP10BP** 10.0l/s 100l/s 5550 300Dia 125mm 890mm 150 l