

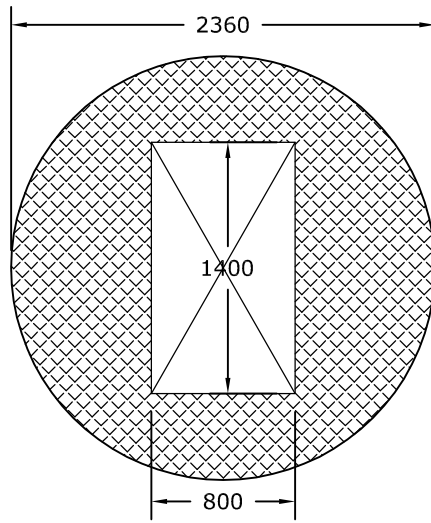
CARLOW CONCRETE TANKS

DRAWING TITLE:
STANDARD 2.1m x
2m Pump Chamber
GENERAL LAYOUT
SHEET 1 OF 1

Drawn By: B. Kennedy

Date: 26/06/07

Revision: 0



Roof Plan

2.1 x 2m Pump Chamber

Standard opening 1400mm x 800mm.
Other sizes and configurations
of opening on request.

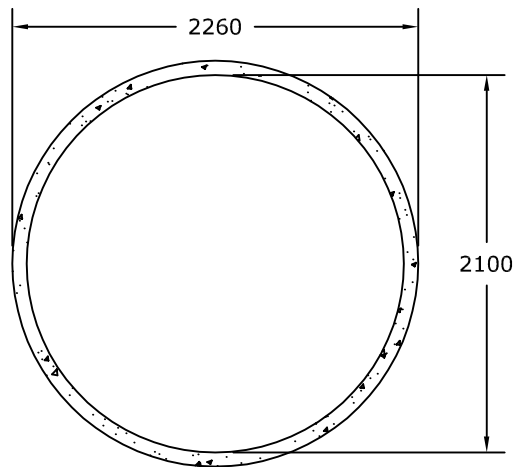
Roof design to particular
loading requirements.

Collars, fittings etc. to
customers requirements.

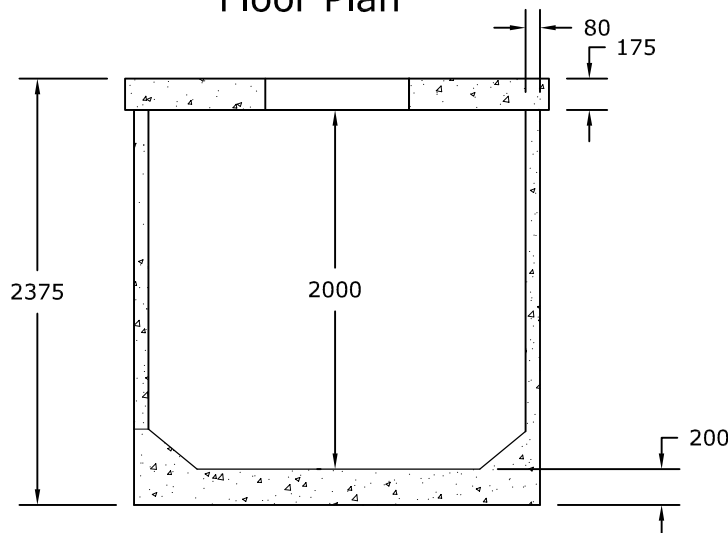
Standard tank weight 4.50
tonnes without lid, 6.00
tonnes including lid.

Working capacity 1525 gallons
(6.93 cubic metres).

We can also offer a galvanised
& lockable access cover.



Floor Plan



Section