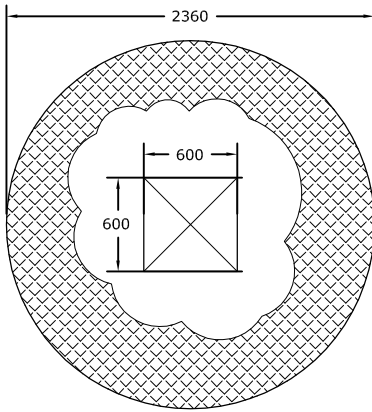
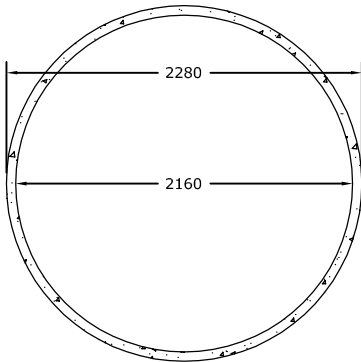


6.90 CUBIC METRE / 1500 GALLON TANK

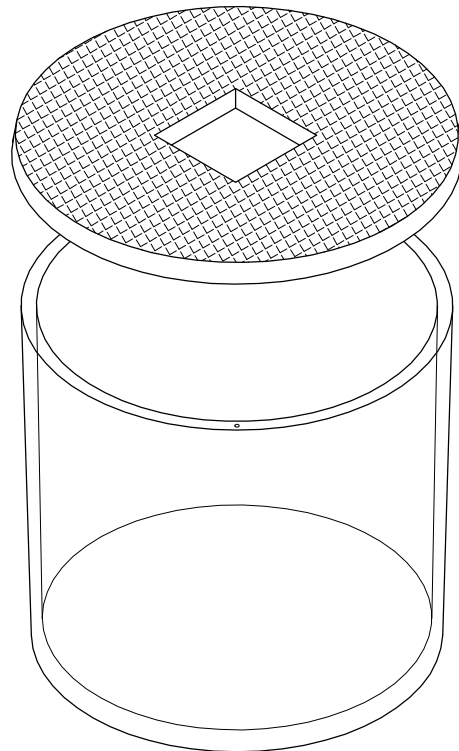


ROOF PLAN

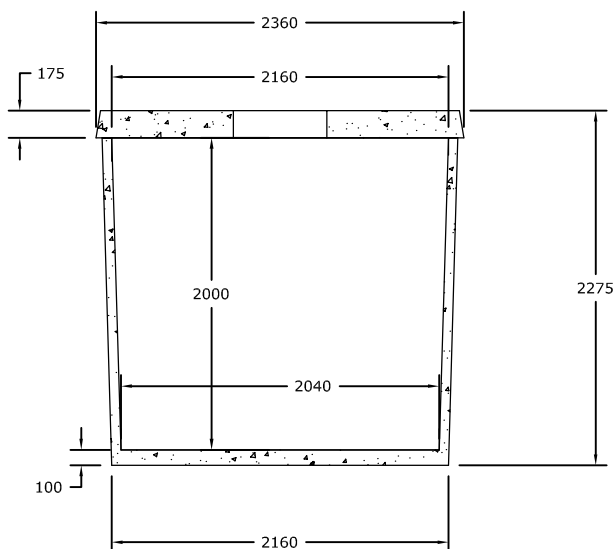
Standard tank weight 4.00
tonnes without lid, 5.40
tonnes including lid.



FLOOR PLAN



3D VIEW



SECTION

0m 1m 2m